

# CONGRATULATIONS

ON YOUR PURCHASE OF THE MAGNADOR™ PET DOOR,  
USED FOR GENERATIONS BY PET OWNERS, PET PROFESSIONALS AND PETS  
YOUR PET WILL LOVE YOU FOR IT.

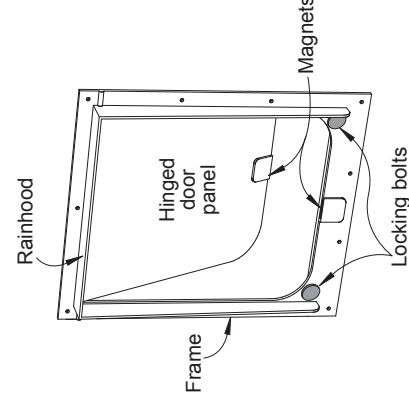
## Items Provided

- Installation Template
- Wood screws equal to number of mounting holes in the frame
- 2 sets of black locking nuts and bolts

## Items Required

- Good exterior caulk such as Silicone or Vulkem
- Pencil
- Electric drill with 1/8" and 3/8" bits
- Jig Saw
- Straight Edge
- Masking Tape
- Phillips Screwdriver

## Parts Identification



## Caution

Please read the instructions carefully. Improper installation may cause damage to your Magnador™ and VOID any manufacturer warranty. This installation template is a guide. Before cutting and installing your door, please verify your marks with the actual product.

### Step 1:

- Identify the location for your Magnador™ pet door.
- Check the surrounding area to make sure there is nothing that will interfere with the full swing range of the hinged door panel.
- Improper installation of the door may result in damage to surrounding areas and negatively impact the operation of the door and proper usage by the pet.

### Step 2:

- The Magnador™ pet door must be installed on a flat surface.

- Use the shoulder height of your tallest pet to set the height of the opening for the Magnador™ pet door. (Fig 1.1)

### Step 3:

- After you have determined the location and proper mounting height for your Magnador™ pet door, use masking tape to fasten the template to the mounting location. (Fig 1.2)
- Use a pencil to mark the screw positions through the □ marks on the template. (Fig 1.3)
- Mark the 4 corners through the □ marks on the template. (Fig 1.4)
- Remove the template and use a straight edge to draw a line connecting the 4 corner marks. (Fig 1.5)
- The area inside the 4 corners and connecting lines will be cut out for the door.

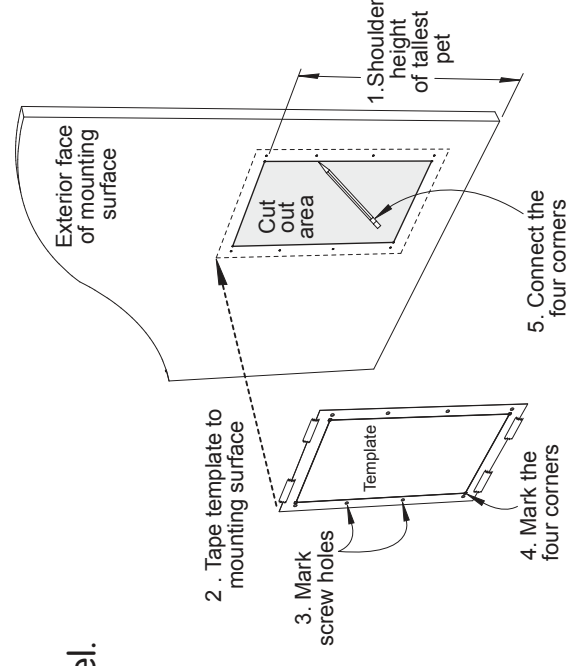


FIG. 1

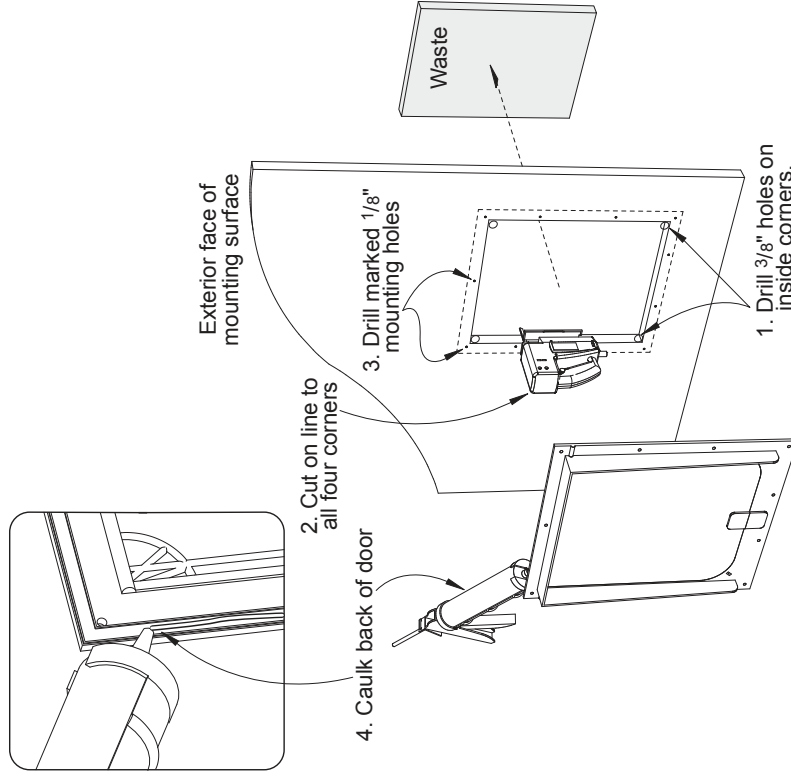


FIG. 2

### Step 4:

- Drill four, 3/8" holes on the **INSIDE** of each corner of the cut out area. (Fig 2.1)
- Using a jig saw, cut on the line to all four corners. (Fig 2.2)
- Using a 1/8" bit, drill 3/4" deep pilot holes at each location marked from the template (Fig 2.3) **CAUTION:** These are only pilot holes. Do not drill completely through the mounting area.
- Test fit the door to the opening by loosely installing a screw in each corner.

- **The RAIN HOOD should face towards the exterior to give maximum weather protection.**

- Verify that the hinged door panel swings freely through the cut out area. Any rubbing or interference between the hinged door panel and the frame will be adjusted for in Step 5.

### Step 5:

- Remove the four corner screws from the test fit and remove the Magnador™ pet door from the mounting surface.
- Apply a small bead of caulk between the raised guidelines on the back surface of the door. (Fig 2.4)
- Re-install the Magnador™ loosely installing the four corner screws and gently press against the mounting surface to compress the caulk and provide a weather tight seal. (Fig 3.1)
- Loosely install the remaining mounting screws but do not tighten.
- Check for a free and unobstructed swing of the hinged door panel.
- If rubbing occurs between the frame and panel, gently push the frame in a direction to eliminate the rubbing and tighten the mounting screws. (Fig 3.2)
- Tighten the remaining screws **EVENLY** to provide firm pressure on the caulk. (Fig 3.3)

### Step 6:

- The magnetic 'holding' power between the frame and the hinged door panel can be increased or decreased by adjusting the distance between the magnets.

- To adjust the distance between the magnets, loosen the screws at the bottom of the door frame and while applying upward (increase) or downward (decrease) pressure to the door frame, retighten the screws.

- After adjusting the magnetic 'holding' power, verify that the hinged door panel swings freely.

### Step 7:

- Insert the black locking bolts through the rectangular slots in the bottom corners of the Magnador™ frame. (Fig 4)

- Bolts can be inserted from either the front or the back.

- Hold the bolts in place and screw the nuts onto the bolts.

- For free swinging door operation, slide the locking bolts to the lower position in the slot and tighten the nuts.
- To lock the swinging door in place, slide the locking bolts to the upper position in the slot and tighten the nuts.

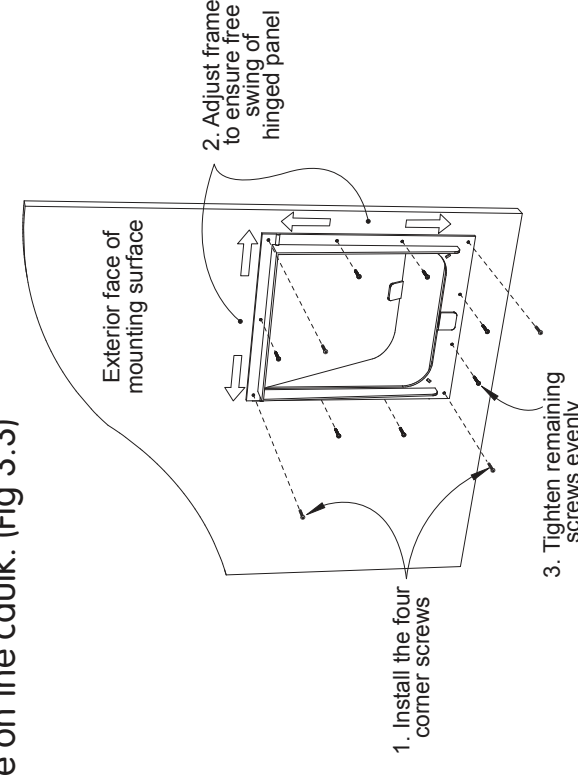


FIG. 3

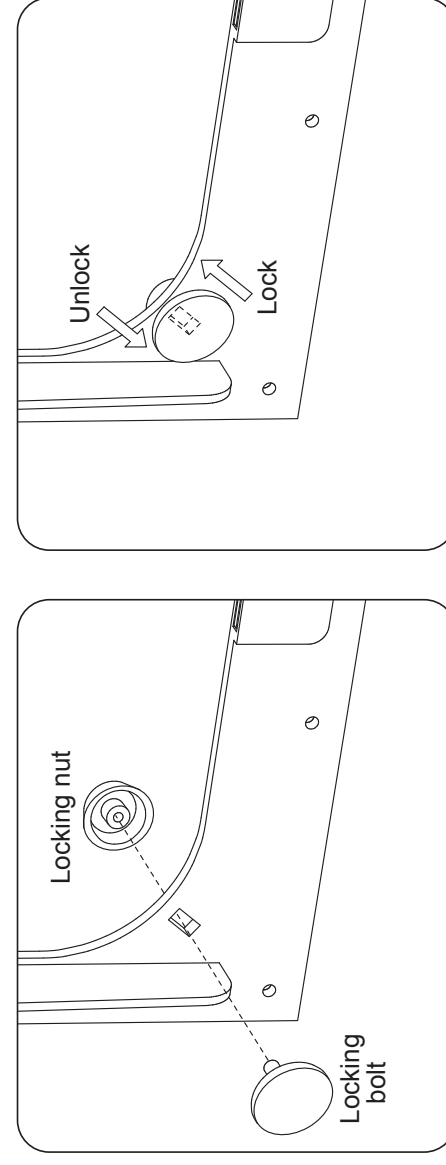


FIG. 4

## Lakeside Products Limited Warranty

Lakeside Products warrants to the original purchaser this product to be free of defects in materials and workmanship for a period of one year from the date of purchase (proof of purchase required). Specific exclusions from this warranty include damage caused by accident, improper installation or abuse, including damage caused by pets. Lakeside Product's maximum liability on any claim shall be no greater than the original purchase price of the product. Under no circumstances shall Lakeside Products be responsible for consequential damage resulting from the use or miss-use of this product. For warranty claims, please return defective product or part, including **PROOF OF PURCHASE DATE**, freight prepaid, to Lakeside Products for repair or replacement. Purchaser is responsible for return shipping and handling charges. This warranty is the only warranty made by Lakeside Products and replaces any and all previous warranties. See Lakeside Products website for all current warranties, terms and conditions.

**LAKESIDE**  
PRODUCTS



OUTLINE OF CUT AREA

OUTLINE OF CUT AREA